

The variety of techniques used by hunters does not allow creating one universal, suitable for all method of mounting a case for a gun.

Alternative mounting type:



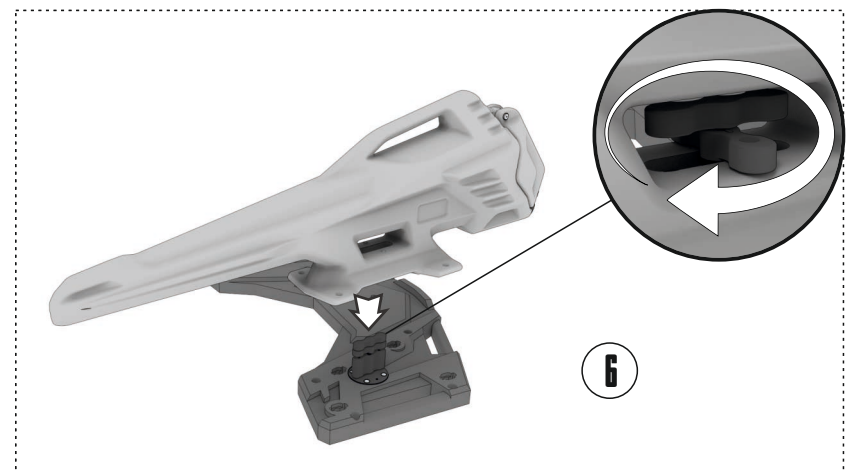
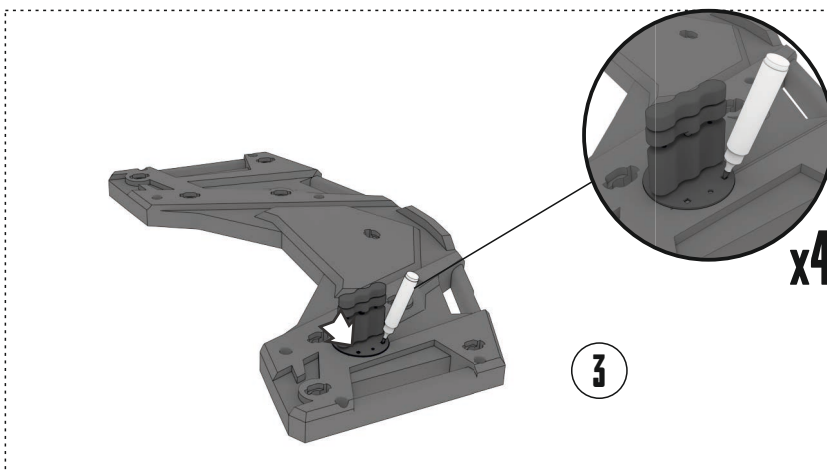
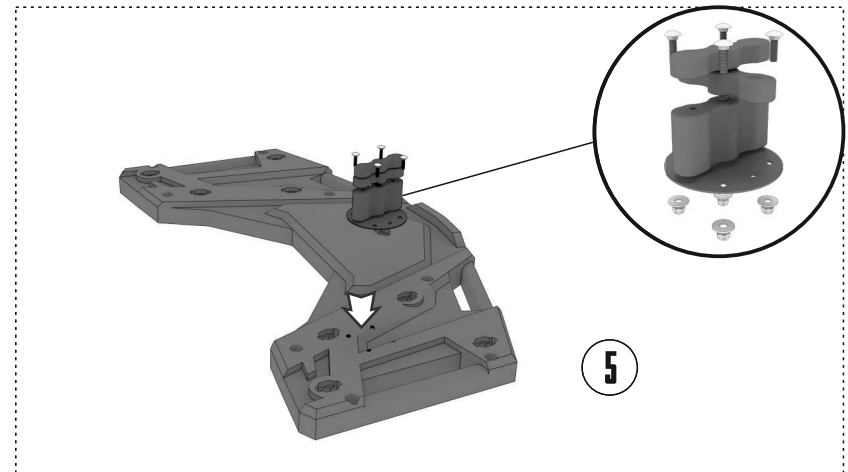
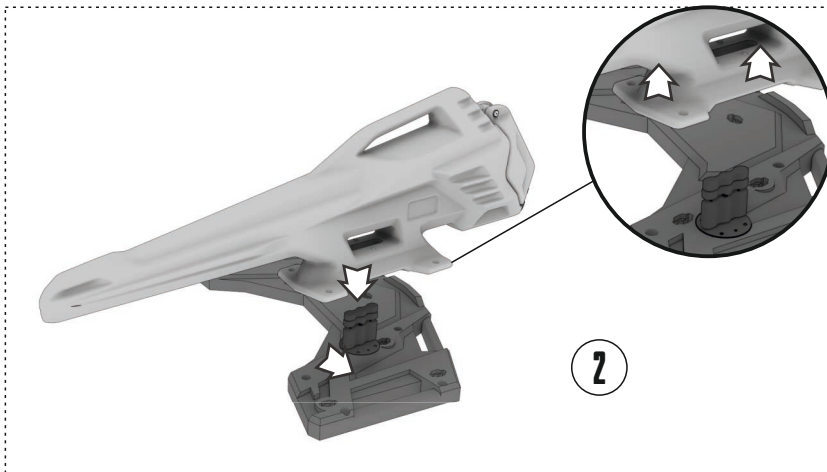
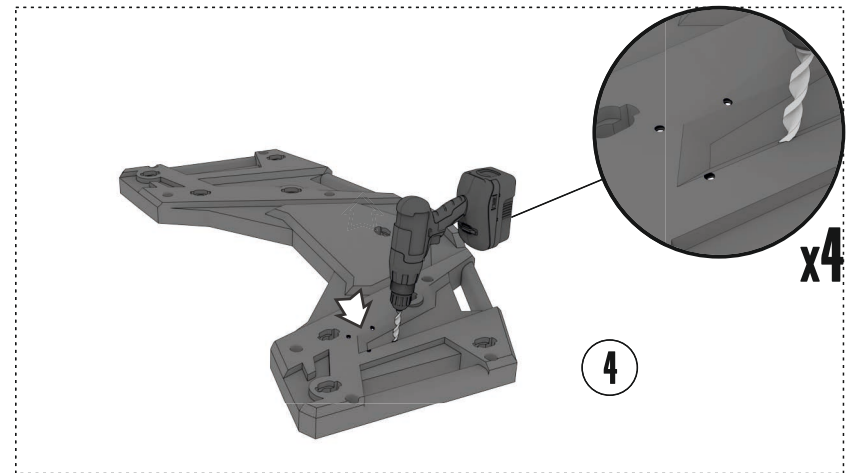
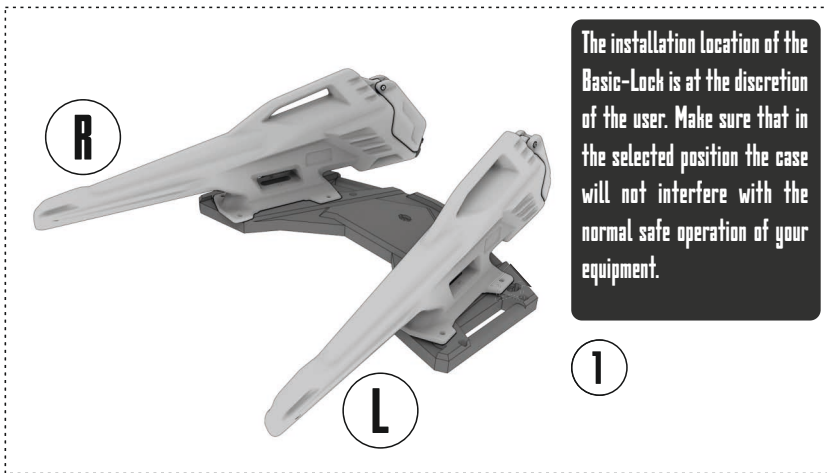
Phone: +7 (981) 89-86-213

Email: sales@tsstbox.com

www.tsstbox.com



www.tsstbox.com



The main method of fastening is the Basic Lock quick-release lock (not included in the package)

The main method of fastening is the Basic Lock quick-release lock (not included in the package)